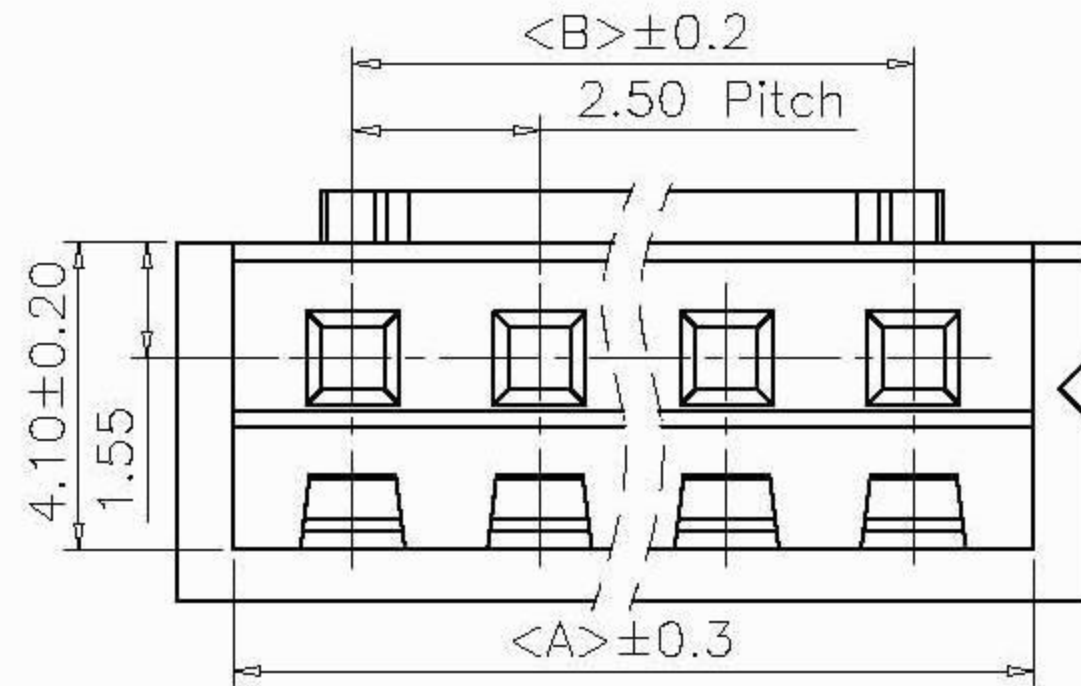
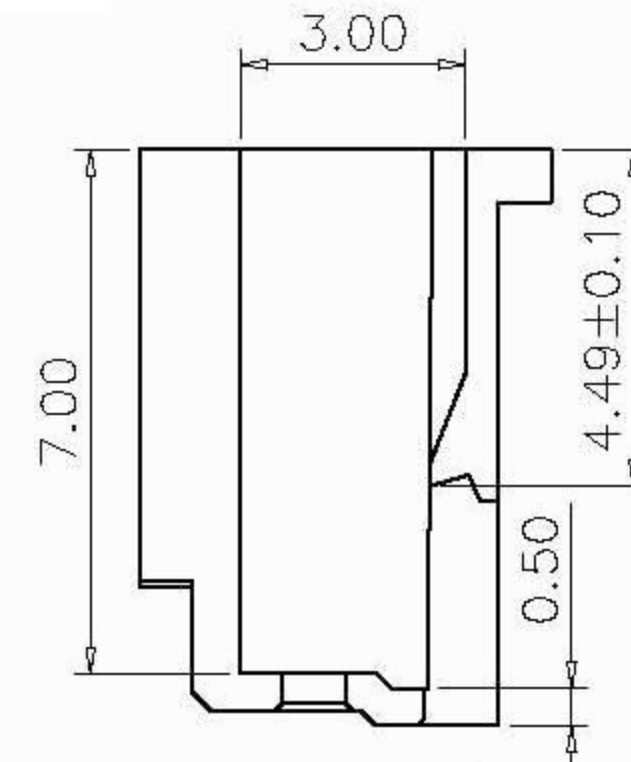
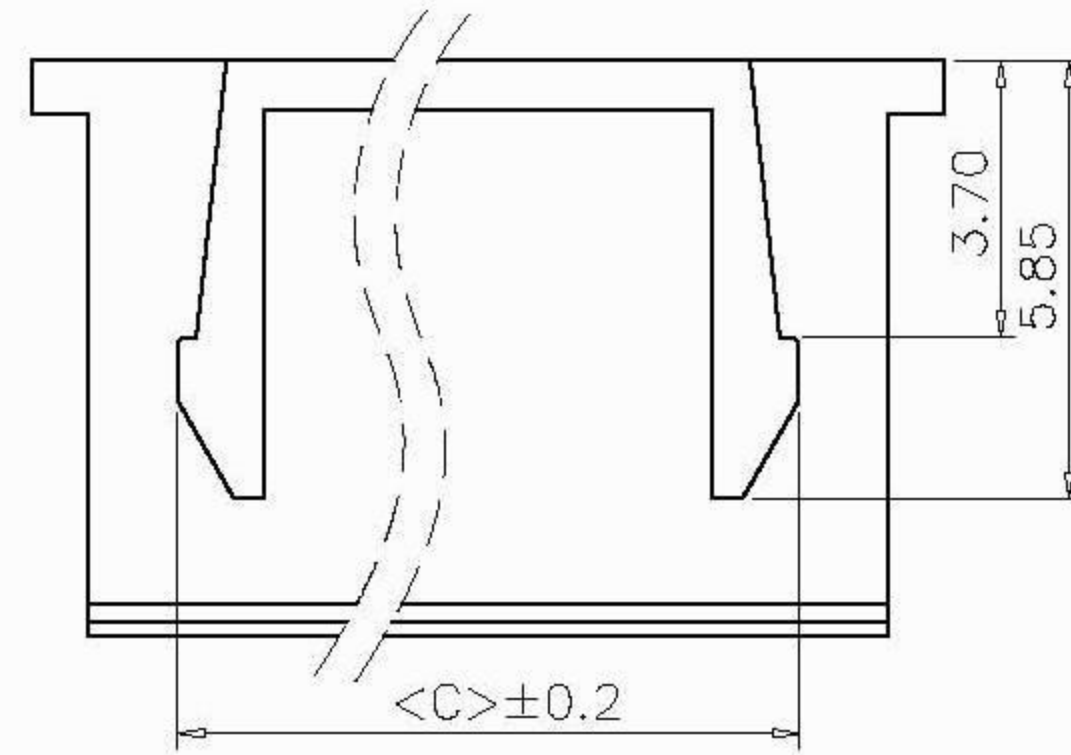
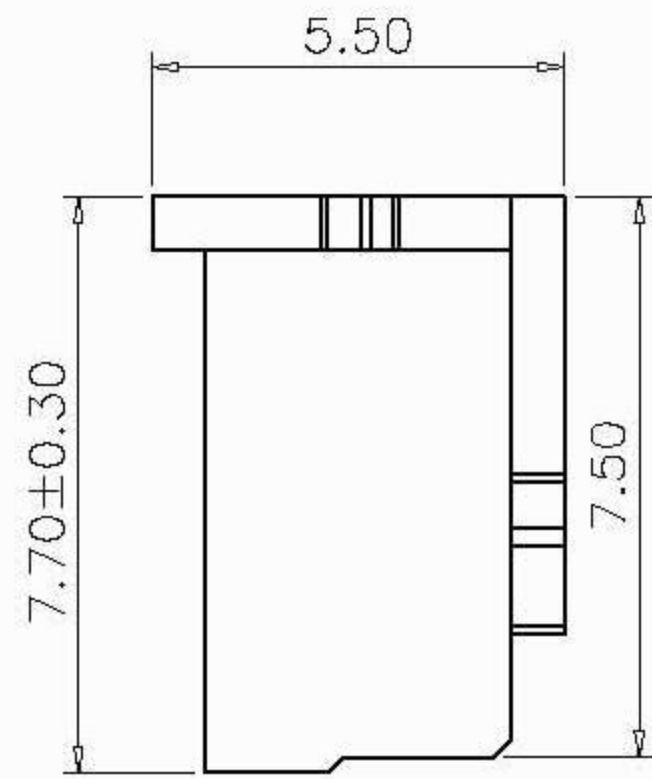
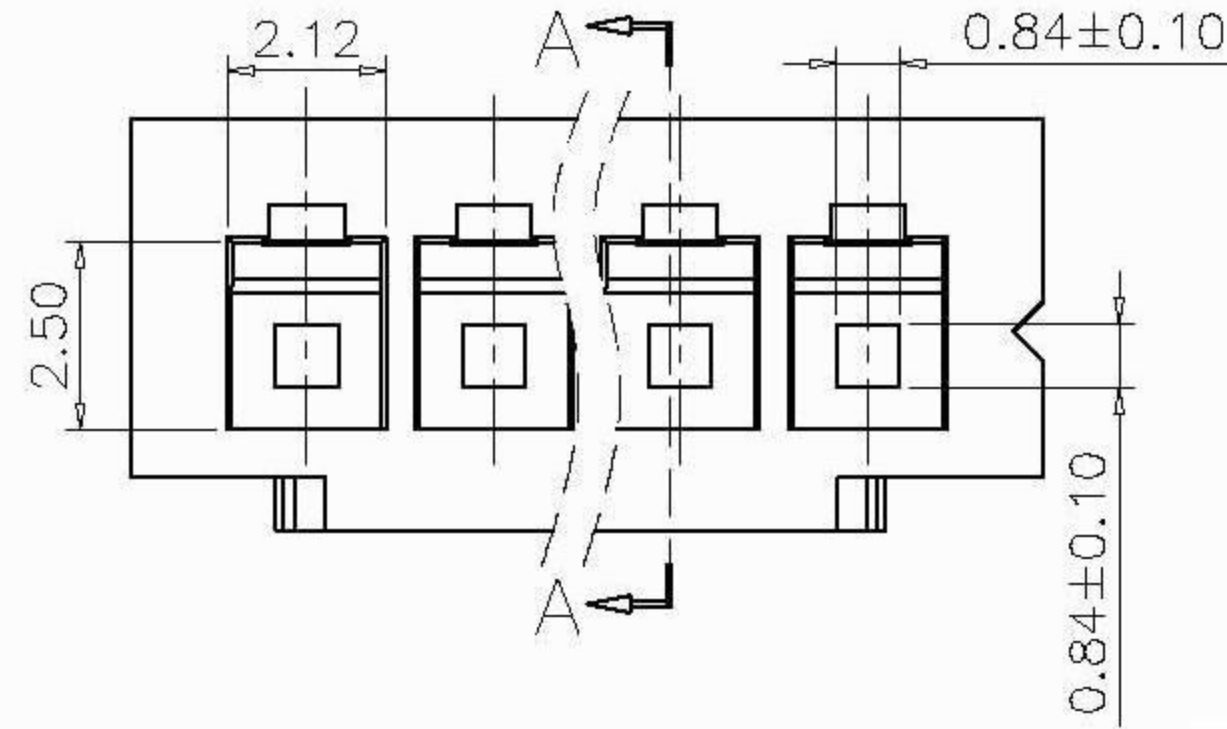
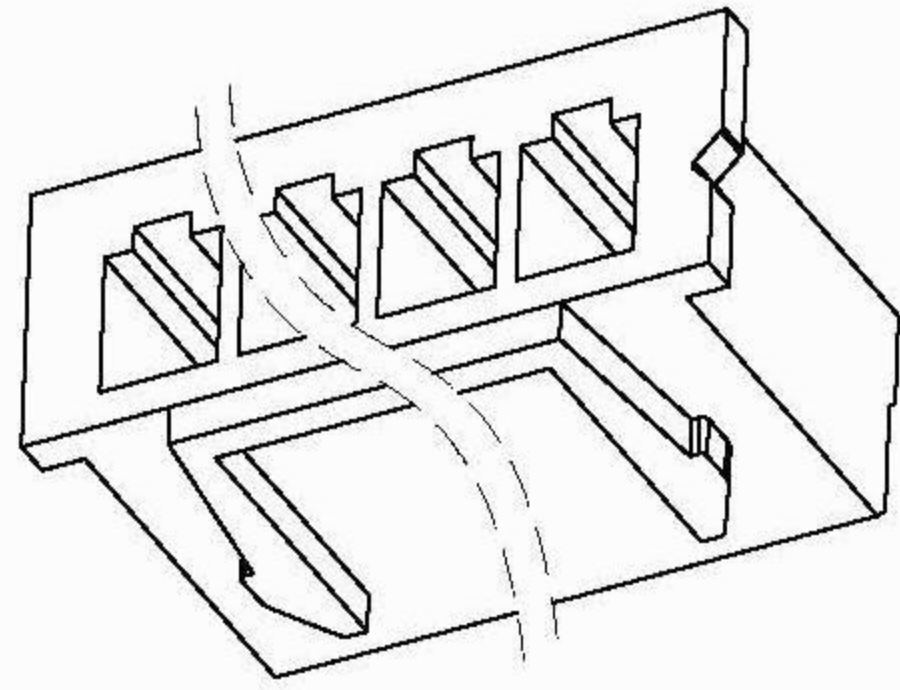


REV.	ECN NO.	LOCATIONS	DESCRIPTION	DATE	DESIGN
0	⊗	SY-ECN06-000	NEW	01/20/06'	
A	⊗	SY-ECN08-010	变更料号及图框	01/28/08'	刘军



PART NO.	DIMENSIONS		
	A	B	C
SY2501-H-2P	5.7	2.5	3.3
SY2501-H-3P	8.2	5.0	5.8
SY2501-H-4P	10.7	7.5	8.3
SY2501-H-5P	13.2	10.0	10.8
SY2501-H-6P	15.7	12.5	13.3
SY2501-H-7P	18.2	15.0	15.8
SY2501-H-8P	20.7	17.5	18.3
SY2501-H-9P	23.2	20.0	20.8
SY2501-H-10P	25.7	22.5	23.3
SY2501-H-11P	28.2	25.0	25.8
SY2501-H-12P	30.7	27.5	28.3
SY2501-H-13P	33.2	30.0	30.8
SY2501-H-14P	35.7	32.5	33.3
SY2501-H-15P	38.2	35.0	35.8
SY2501-H-16P	40.7	37.5	38.3

NOTES:

CURRENT RATING: 3A AC/DC  
 VOLTAGE RATING: 250V AC/DC  
 TEMPERATURE RANGE: -25°C~+85°C  
 CONTACT RESISTANCE: 20MΩ MAX  
 INSULATION RESISTANCE: 1000MΩ MIN  
 WITHSTANDING VOLTAGE: 800V AC/MINUTE  
 HSG MATERIAL: PA66 UL94V-0  
 ENVIRONMENT-RELATED:

Cd < 5ppm      Cr<sup>6+</sup> < N.D  
 Pb < 50ppm      PBBS < N.D  
 Hg < N.D      PBDES < N.D

GXCON ENTERPRISE CO., LTD

DRAW NO.	DATE	MATERIAL: PA66 94V-0	DRAW NAME:
DESIGN:	01/20/06'	FINISH:	XH 2.50 HOUSING
CHECK:		FILE:	MODEL: SYM06002
REVIEW:		P/N NO.	UNIT: mm SHEET: 1/1
APPROVED:		REV. A0 SCALE 1:1	

DIM	TOL	DIM	TOL
X	/	X*	/
X.X	±0.25	X.X*	/
X.XX	±0.20	X.XX*	/
X.XXX	±0.10	X.XXX*	/